

TRIM RIBS FLUSH WITH TE AND  
SAND FLUSH WITH BOTTOM OF  
WING SKIN AFTER ASSEMBLY

BUILD-UP WITH  $\frac{1}{8}$ " Balsa ON  
EACH SIDE AFTER ASSEMBLY

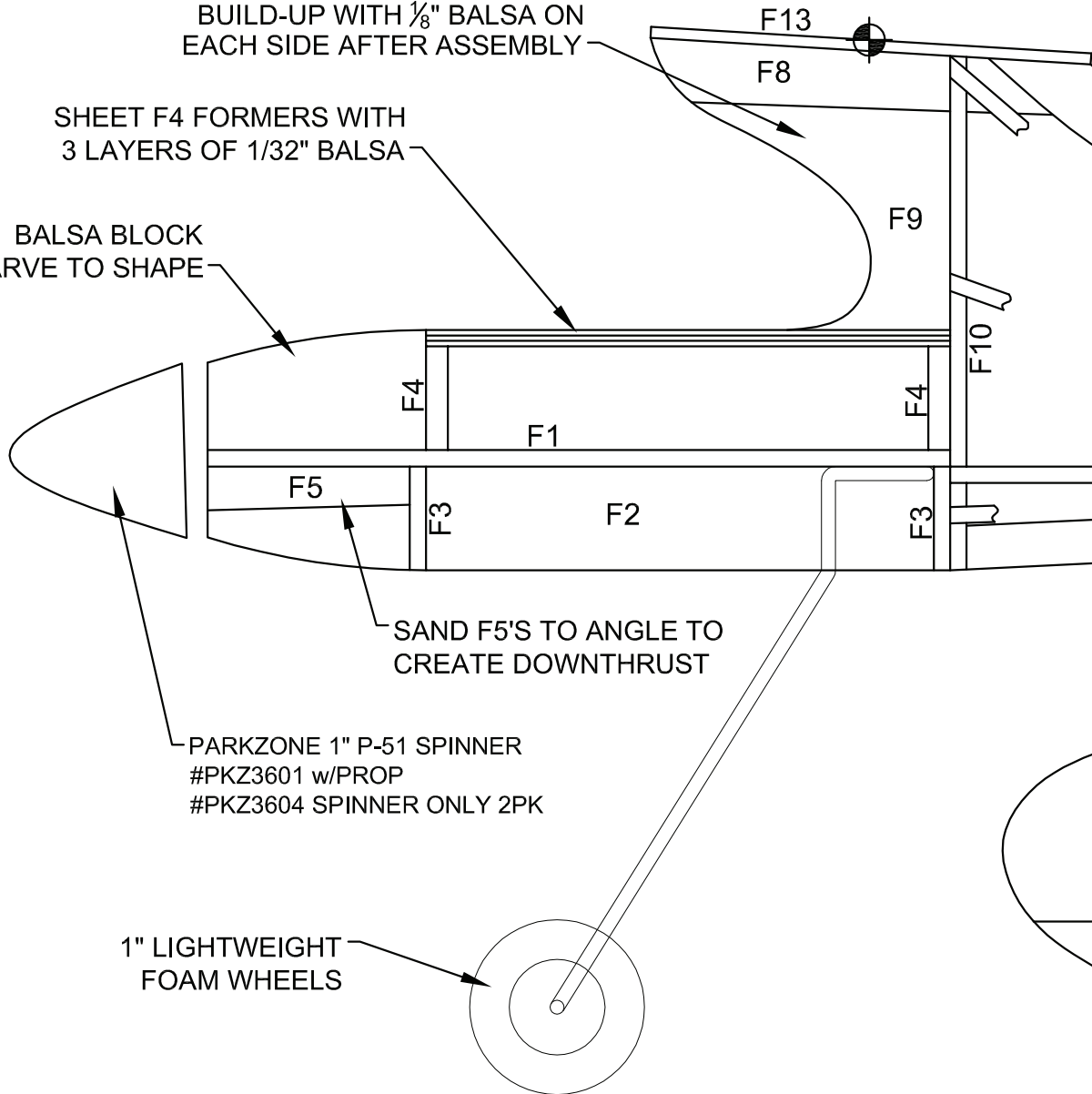
SHEET F4 FORMERS WITH  
3 LAYERS OF  $\frac{1}{32}$ " Balsa

Balsa BLOCK  
CARVE TO SHAPE

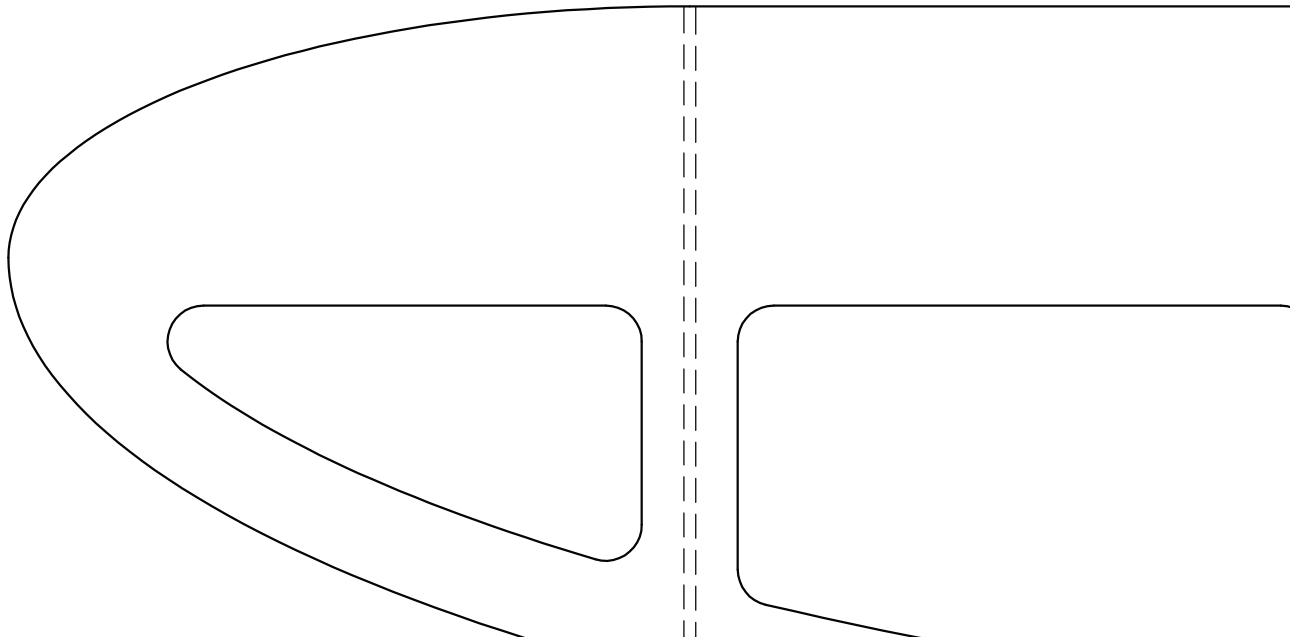
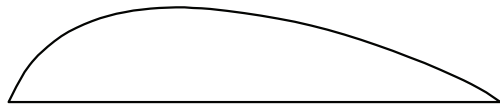
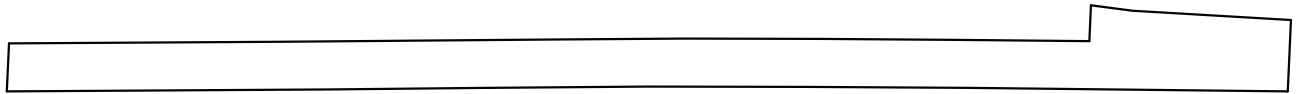
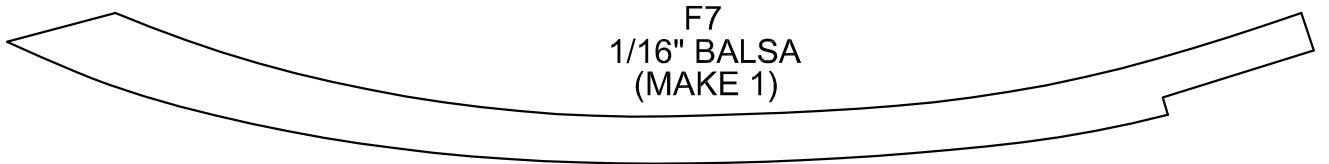
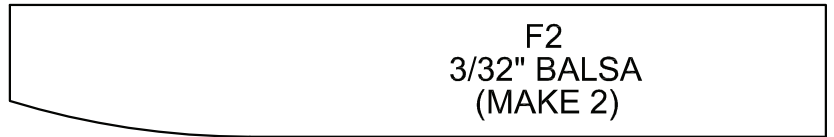
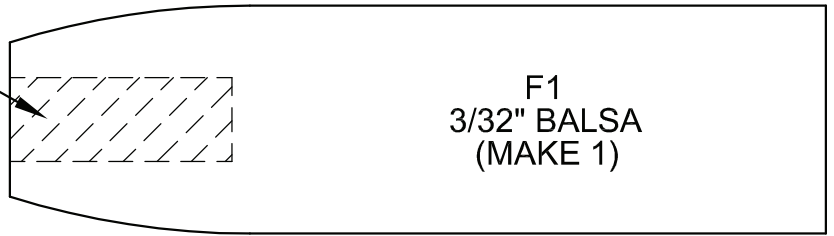
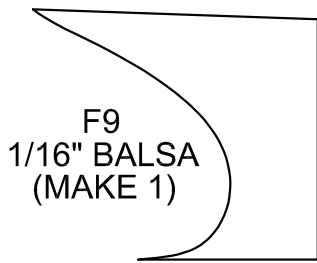
SAND F5'S TO ANGLE TO  
CREATE DOWNTHRUST

PARKZONE 1" P-51 SPINNER  
#PKZ3601 w/PROP  
#PKZ3604 SPINNER ONLY 2PK

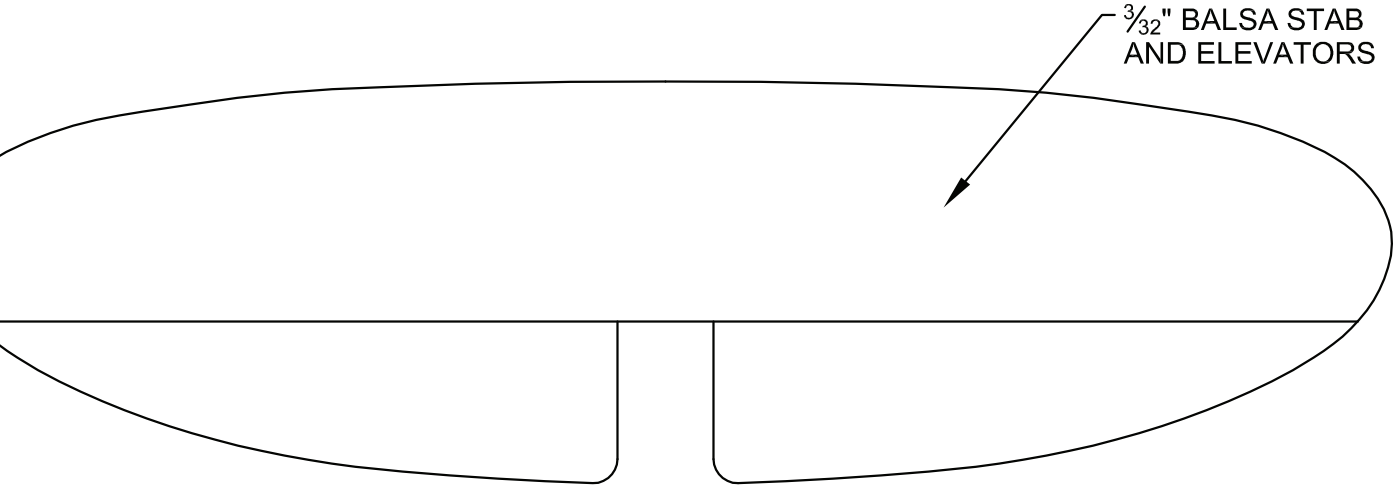
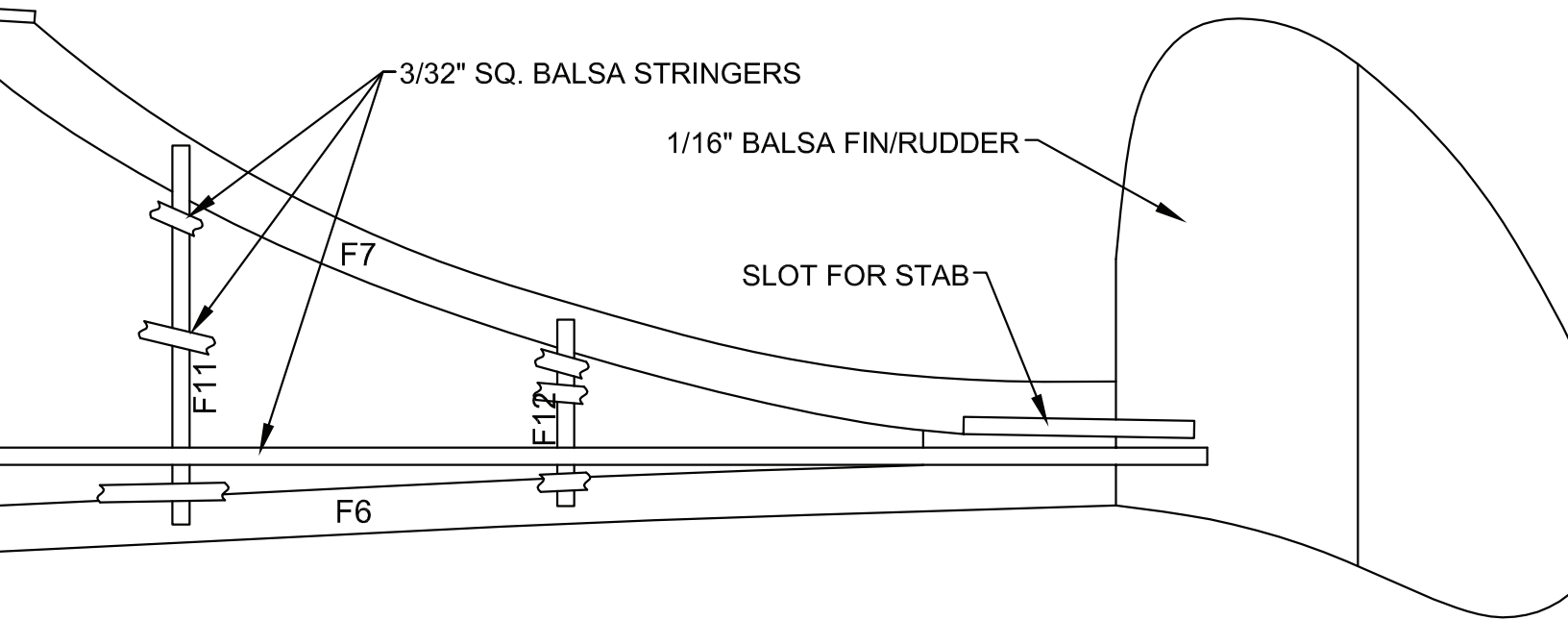
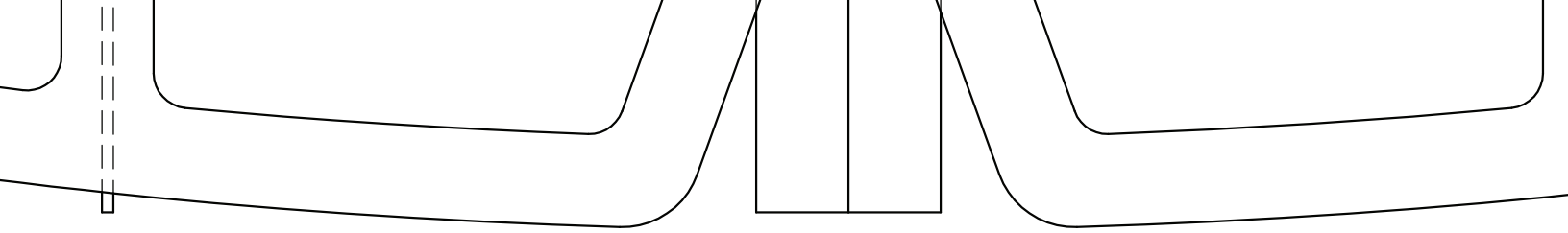
1" LIGHTWEIGHT  
FOAM WHEELS



REMOVE AS NEEDED  
TO CLEAR MOTOR  
AFTER ASSEMBLY

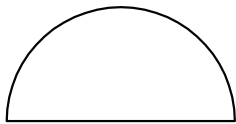


3/32"  
(M  
CONT  
.030  
M

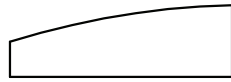




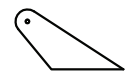
F3  
3/32" Balsa  
(MAKE 2)



F4  
1/8" LITE PLY  
(MAKE 2)



F5  
1/4" Balsa  
(MAKE 2)

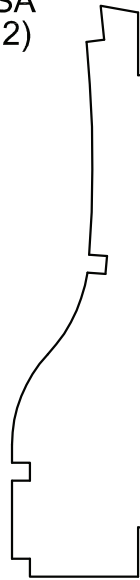


CONTROL HORN  
3/32" PLASTIC  
MAKE 2

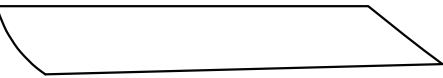
F12  
3/32" Balsa  
(MAKE 2)



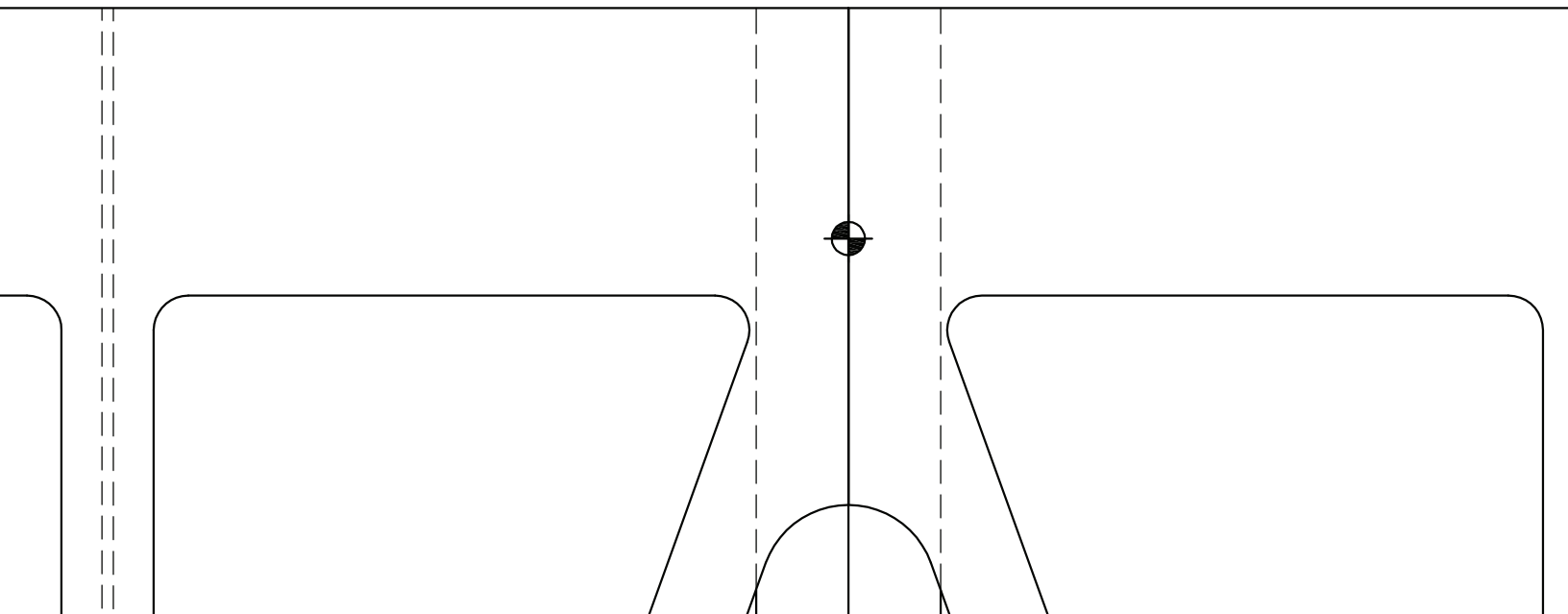
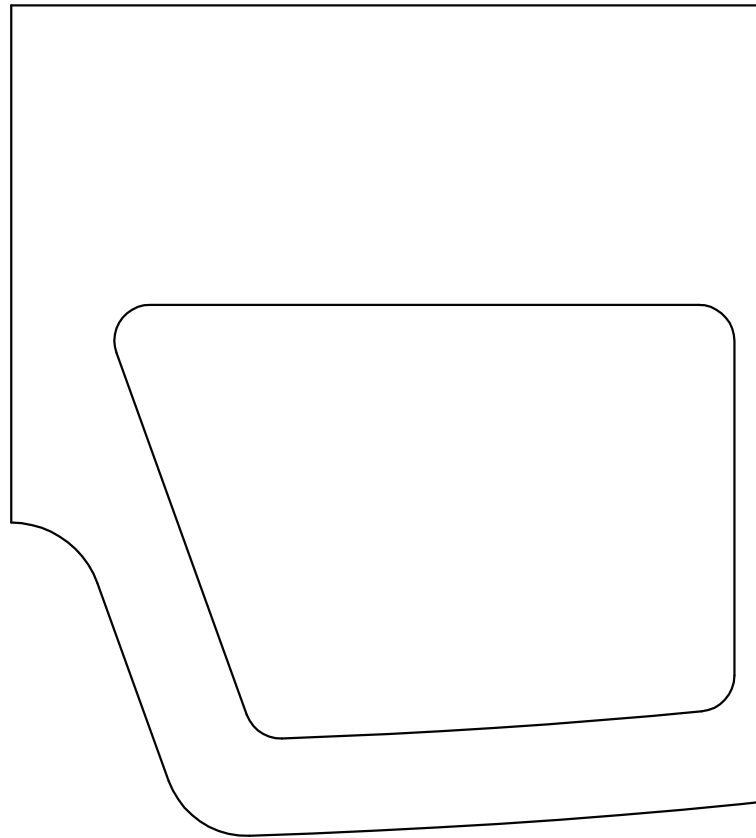
F11  
3/32" Balsa  
(MAKE 2)

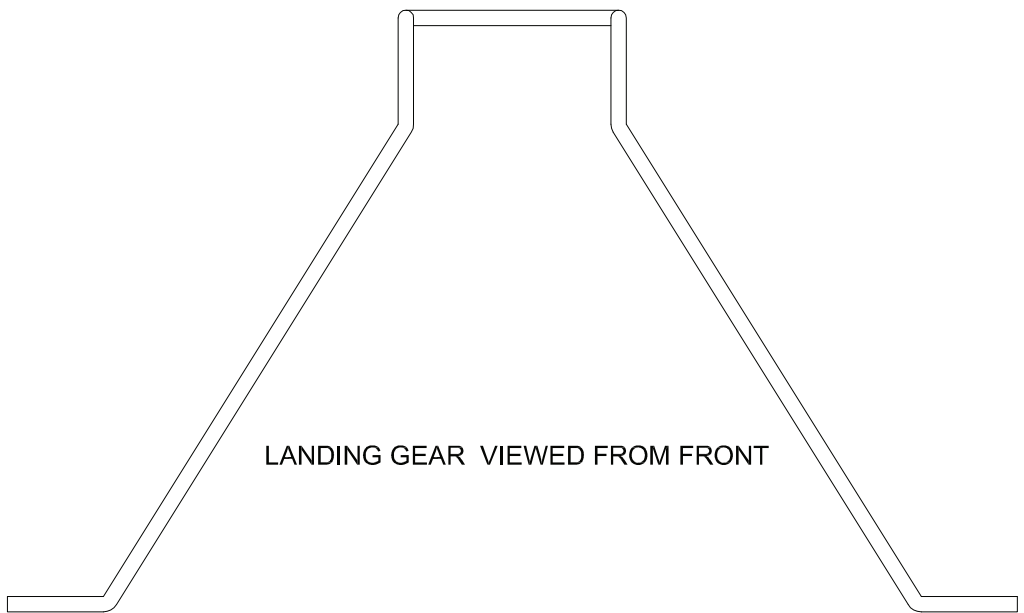
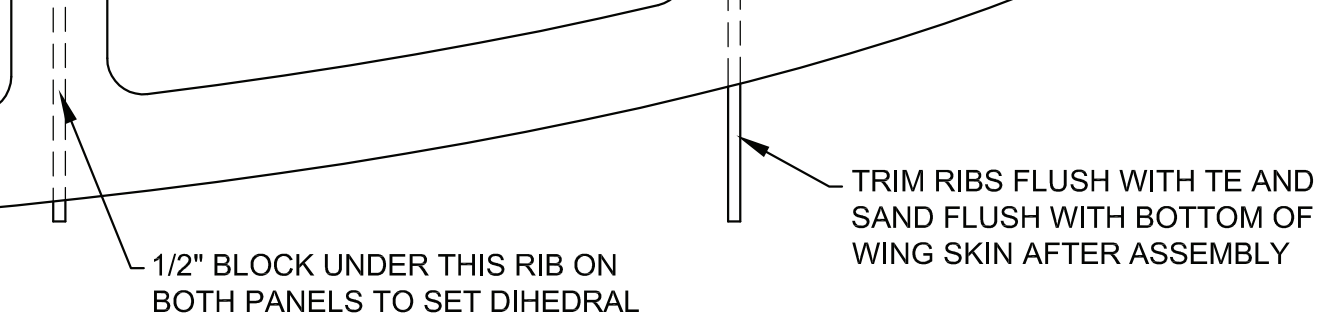


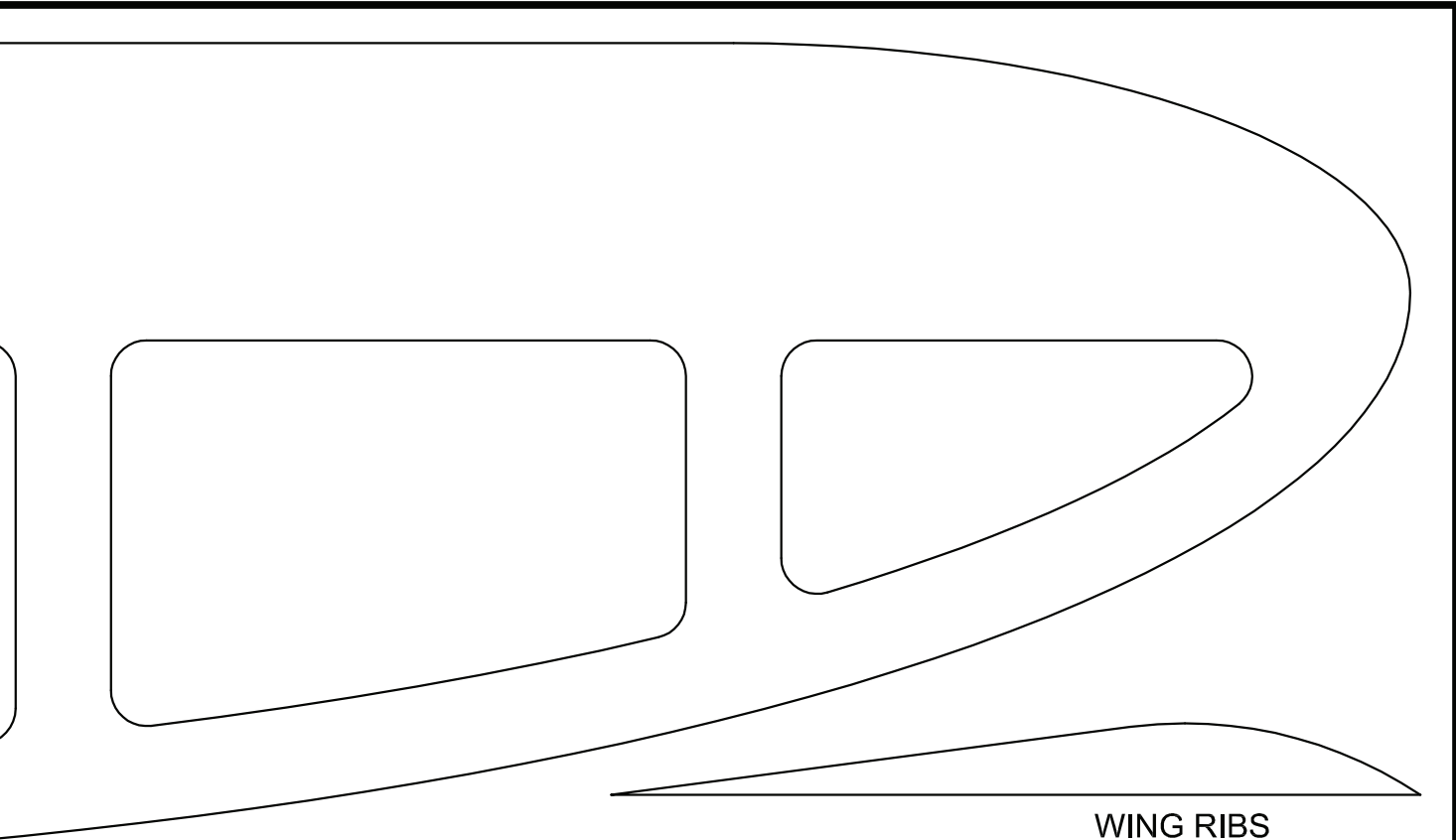
F10  
3/32" Balsa  
(MAKE 2)



F8  
1/16" Balsa  
(MAKE 1)







WING RIBS  
MAKE 4 - 1/16" Balsa  
MAKE 2 - 1/2" Balsa

