

PARKZONE 1" P-51 SPINNER
#PKZ3601 w/PROP
#PKZ3604 SPINNER ONLY 2PK

CARV

F5

F6

L3

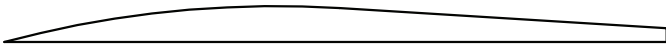
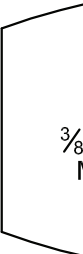
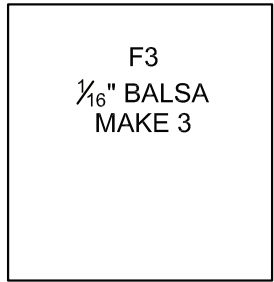
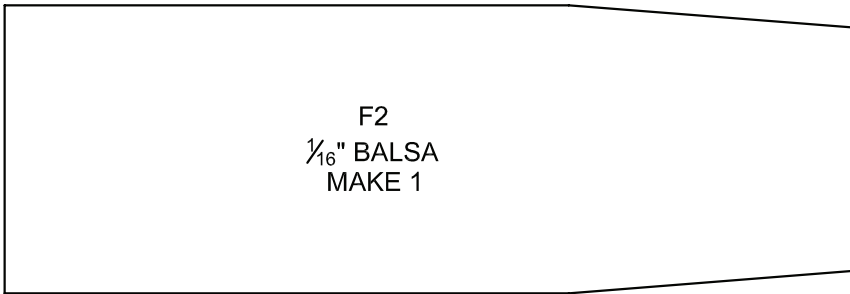
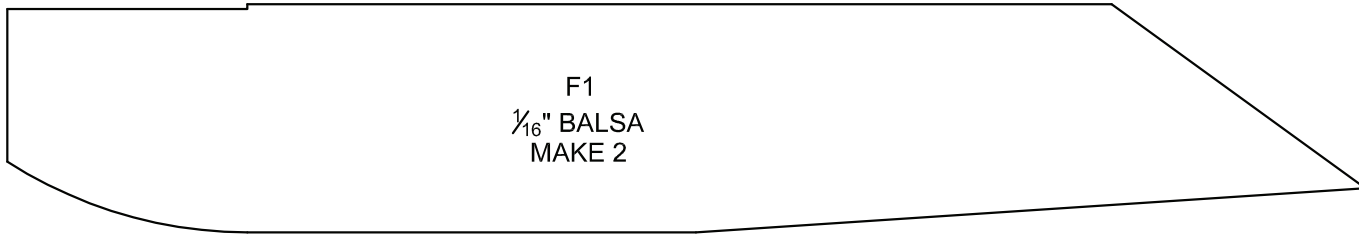
F1

F3

REINFORCE CHEEK
WITH 1/16" x 1/4" Balsa

SECURE NOSE GEAR SLEEVE
WITH Balsa BLOCKS

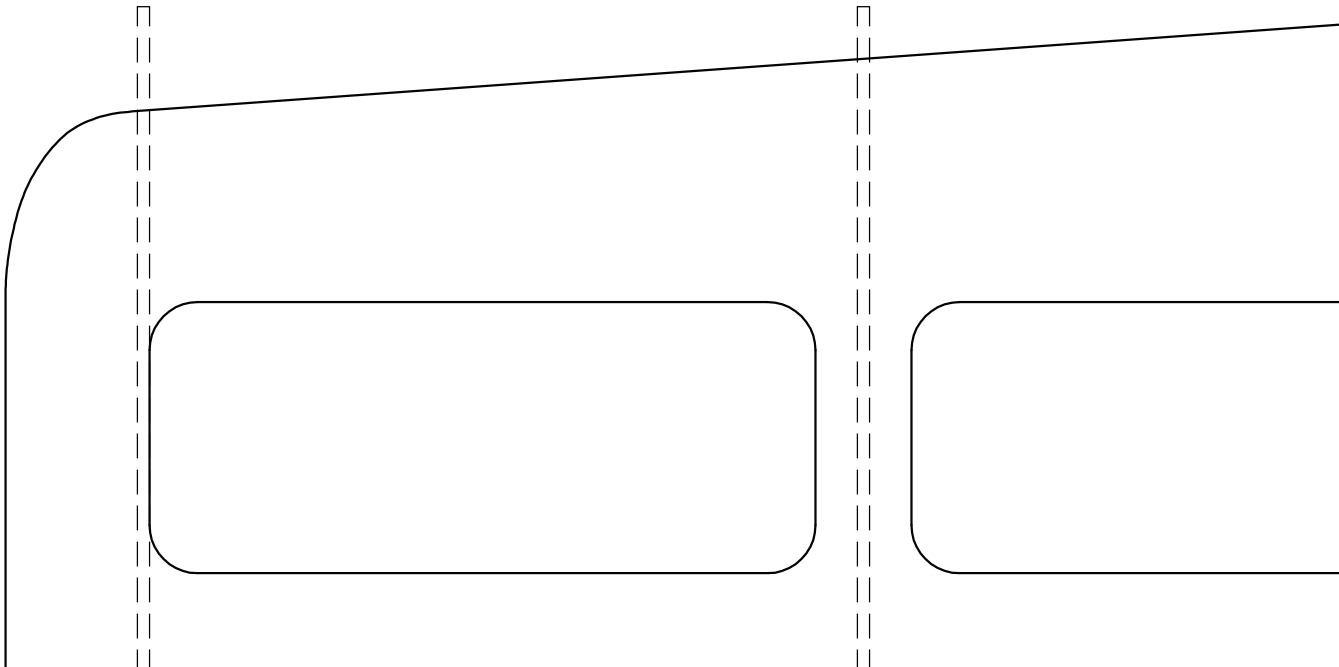
ANGLE NOSE GEAR
BACK FOR STEERING



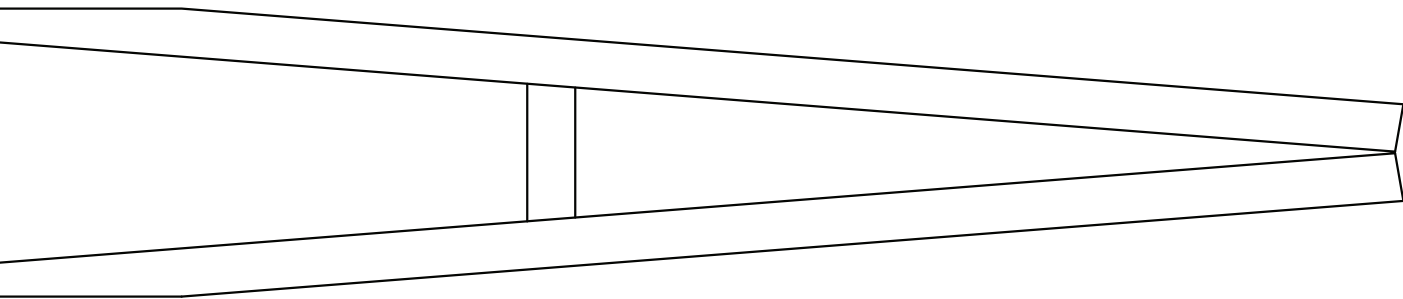
WING RIB
1/16" Balsa
MAKE 6



CONTROL HORN
.030" PLASTIC
MAKE 4

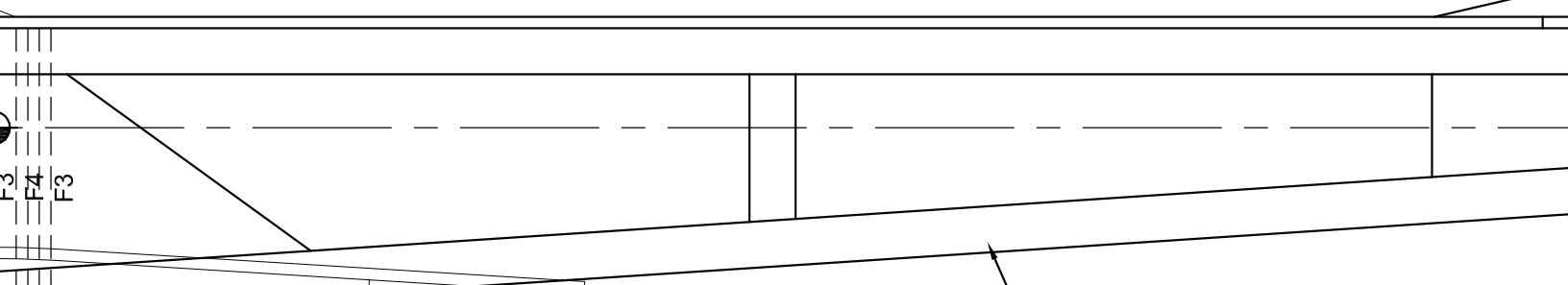


INSTALL WING PANELS WITH 0 DIHEDRAL



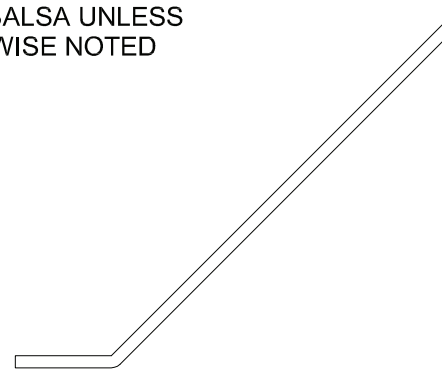
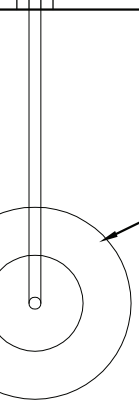
COVER CANOPY FROM FOAM

DORSAL FIN FROM
 $\frac{1}{16}$ "x $\frac{3}{8}$ " Balsa



ALL FRAMES BUILT FROM
 $\frac{1}{16}$ "x $\frac{1}{4}$ " Balsa UNLESS
OTHERWISE NOTED

1" LIGHTWEIGHT
FOAM WHEELS



AILERON
 $\frac{1}{16}$ " Balsa
MAKE 2

ELEVATOR
 $\frac{1}{16}$ " Balsa
MAKE 2

REMOVE
AFTER
ASSEMBLY

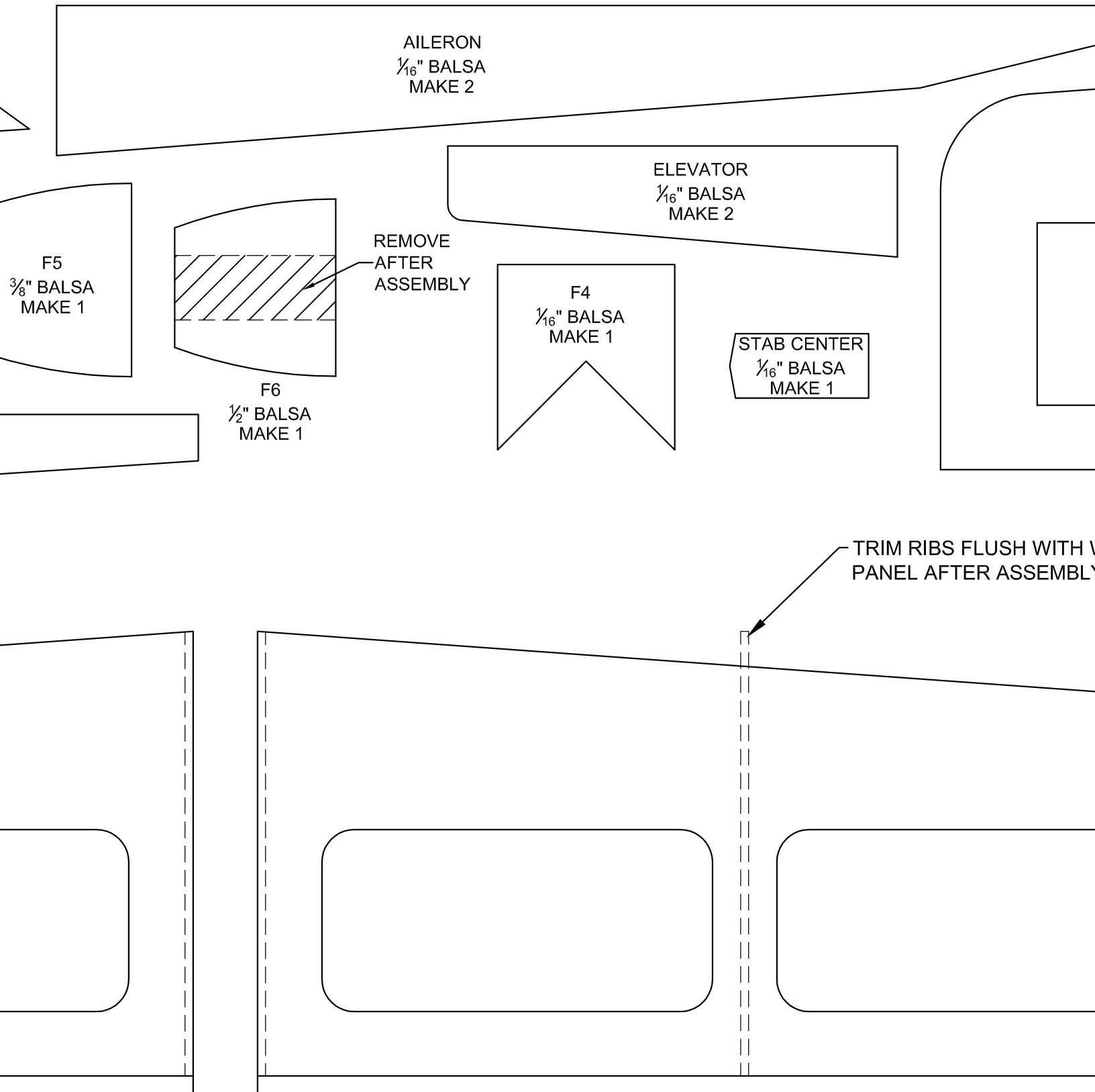
F5
 $\frac{3}{8}$ " Balsa
MAKE 1

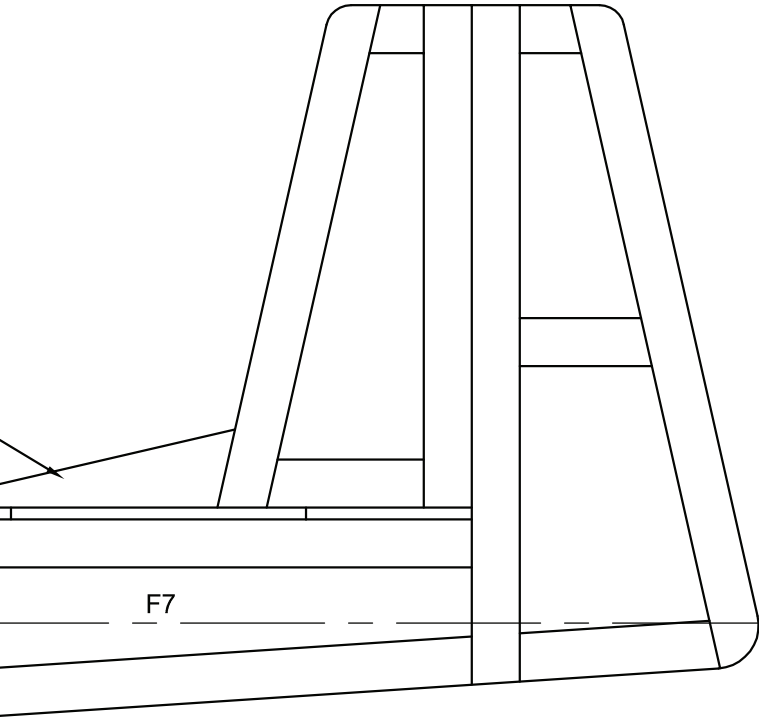
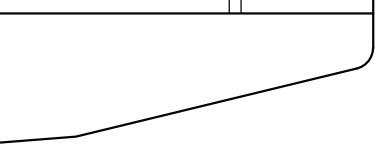
F4
 $\frac{1}{16}$ " Balsa
MAKE 1

STAB CENTER
 $\frac{1}{16}$ " Balsa
MAKE 1

F6
 $\frac{1}{2}$ " Balsa
MAKE 1

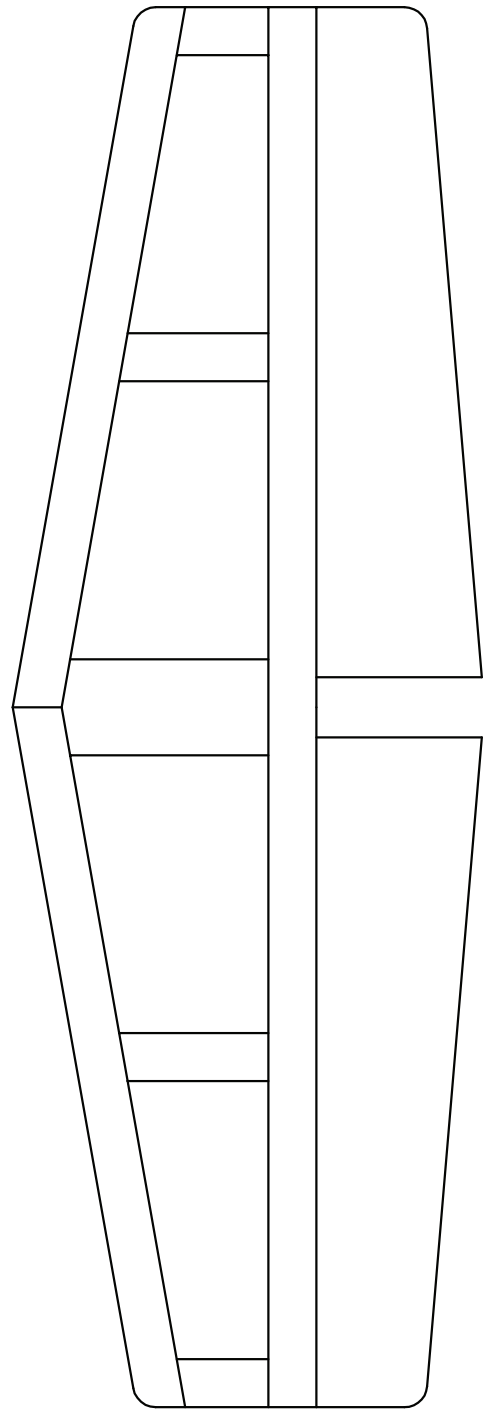
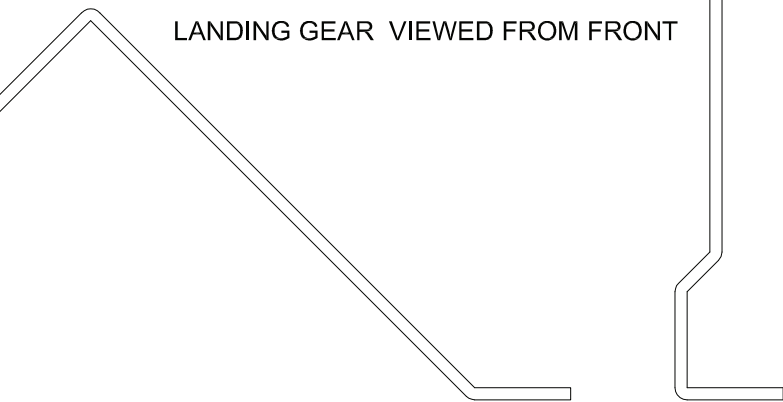
TRIM RIBS FLUSH WITH V
PANEL AFTER ASSEMBLY

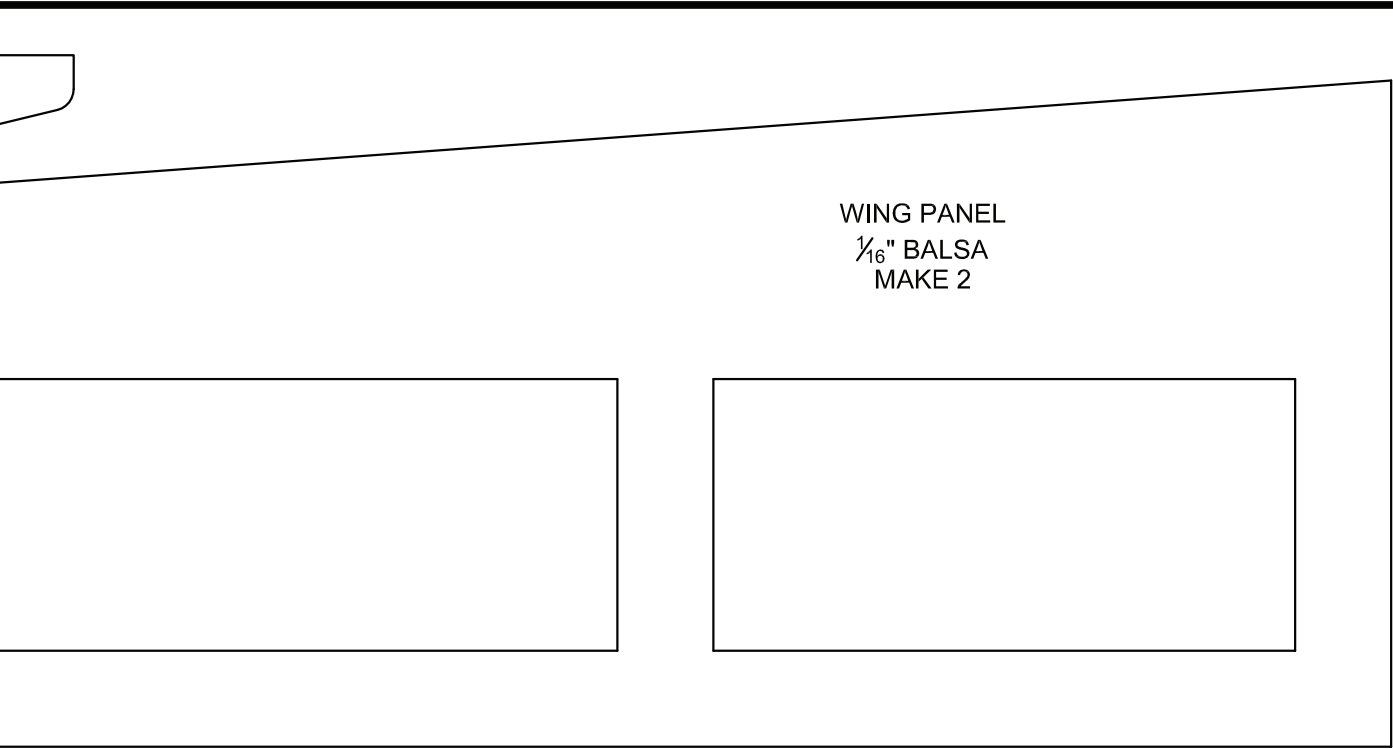




F7

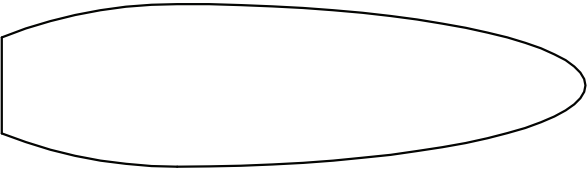
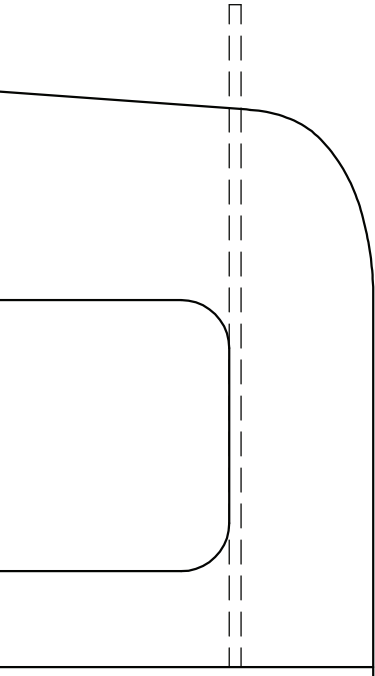
LANDING GEAR VIEWED FROM FRONT





WING PANEL
1/16" Balsa
MAKE 2

H WING
BLY



CANOPY PATTERNS

